

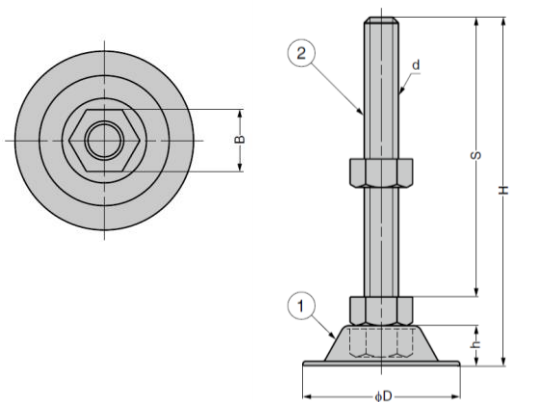
GADP Levelling Glide

Features

- Hexagon nut at the bottom for easy installation
- Wide variety of size variations available

Sold Separately

- Washer **GADZS** (stainless steel)
- Washer **GADZ** (steel)



GADPS - Stainless Steel

No.	Part Name	Material	Finish
①	Body	Stainless Steel (SUS304)	Polished
②	Threaded Bolt		

Part No.	d	D	H	h	S	B	Load Capacity (per piece)
GADPS37-8-60	M8	37	76	10.5	60	13	2,940 N 300 kg
GADPS37-10-50	M10		67.5		50	17	
GADPS55-12-100	M12	55	122	14	100	19	
GADPS55-12-120			142		120		
GADPS55-12-150			172		150		
GADPS75-16-100	M16	75	128	18	100	24	5,488 N 560 kg
GADPS75-16-130			158		130		
GADPS75-16-150			178		150		
GADPS75-16-180	M20	75	208	18	180	30	
GADPS75-20-100			131		100		
GADPS75-20-130			161		130		
GADPS75-20-180	M20		211		180		

GADP - Steel

No.	Part Name	Material	Finish
①	Body	Steel	Clear Zinc Chromate
②	Threaded Bolt		

Part No.	d	D	H	h	S	B	Load Capacity (per piece)
GADP37-8-60	M8	37	66	10.5	50	13	2,940 N 300 kg
GADP37-10-50	M10		67.5			17	
GADP55-12-50	M12	55	72	14	100	19	
GADP55-12-100			122				
GADP55-12-120			142				150
GADP55-12-150	M16	75	172	18	100	24	5,488 N 560 kg
GADP75-16-100			128		130		
GADP75-16-130			158		150		
GADP75-16-150	M20	75	178	18	180		
GADP75-16-180			208				